

**WHY BUY A TEMPORARY
CAR STOP...**

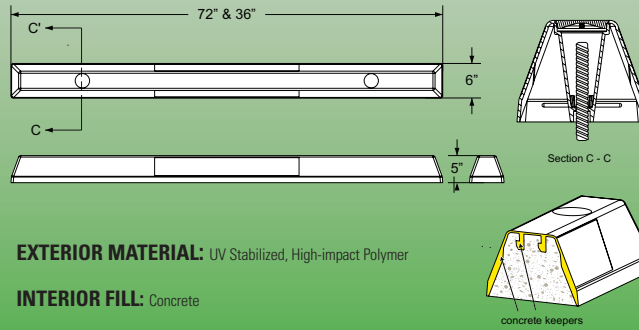


**WHEN FOR THE SAME
PRICE YOU CAN HAVE A**

TUF-STOP™



SPECIFICATIONS



EXTERIOR MATERIAL: UV Stabilized, High-impact Polymer

INTERIOR FILL: Concrete

STOCK COLORS



Safety Yellow Handicap Blue

SPECIAL ORDER COLORS

Additional Lead-Time & Minimums



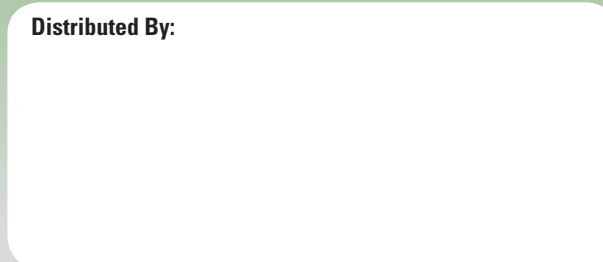
Concrete Gray Hybrid Green White

**UV-RESISTANT ADHESIVE LABELS SOLD SEPARATELY
LABEL SUGGESTIONS:**

- RESERVED
- HANDICAPPED
- VISITOR
- HYBRID ONLY
- COMPACT CAR
- MOTORCYCLE
- EMPLOYEE OF THE MONTH
- ORDER PICK-UP
- CLERGY

Custom labels also available. Contact your dealer for label prices.

Distributed By:

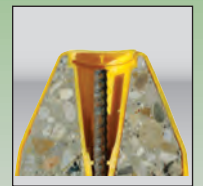


**120 lbs + 4 lbs
OF CONCRETE OF PLASTIC**

= The world's best car stop™



No Steel
Reinforcement Needed



Easy to Install with
#4 or #5 Rebar



WHY SETTLE FOR THAT...



WHEN YOU CAN HAVE THIS FOR THE SAME PRICE?

Concrete Keepers™
Bonds Concrete To Plastic

Water Tite / Permanent Caps

Non-Slip Texture

UV Stabilized, High-impact Polymer/ No Painting

RESERVED

Available in Additional Colors

No Steel Reinforcement Needed

High Visibility For The Visually Impaired

* labels sold separately

Distributed by quality supply houses throughout the U.S. and Canada.



Contact your local supply house for information.