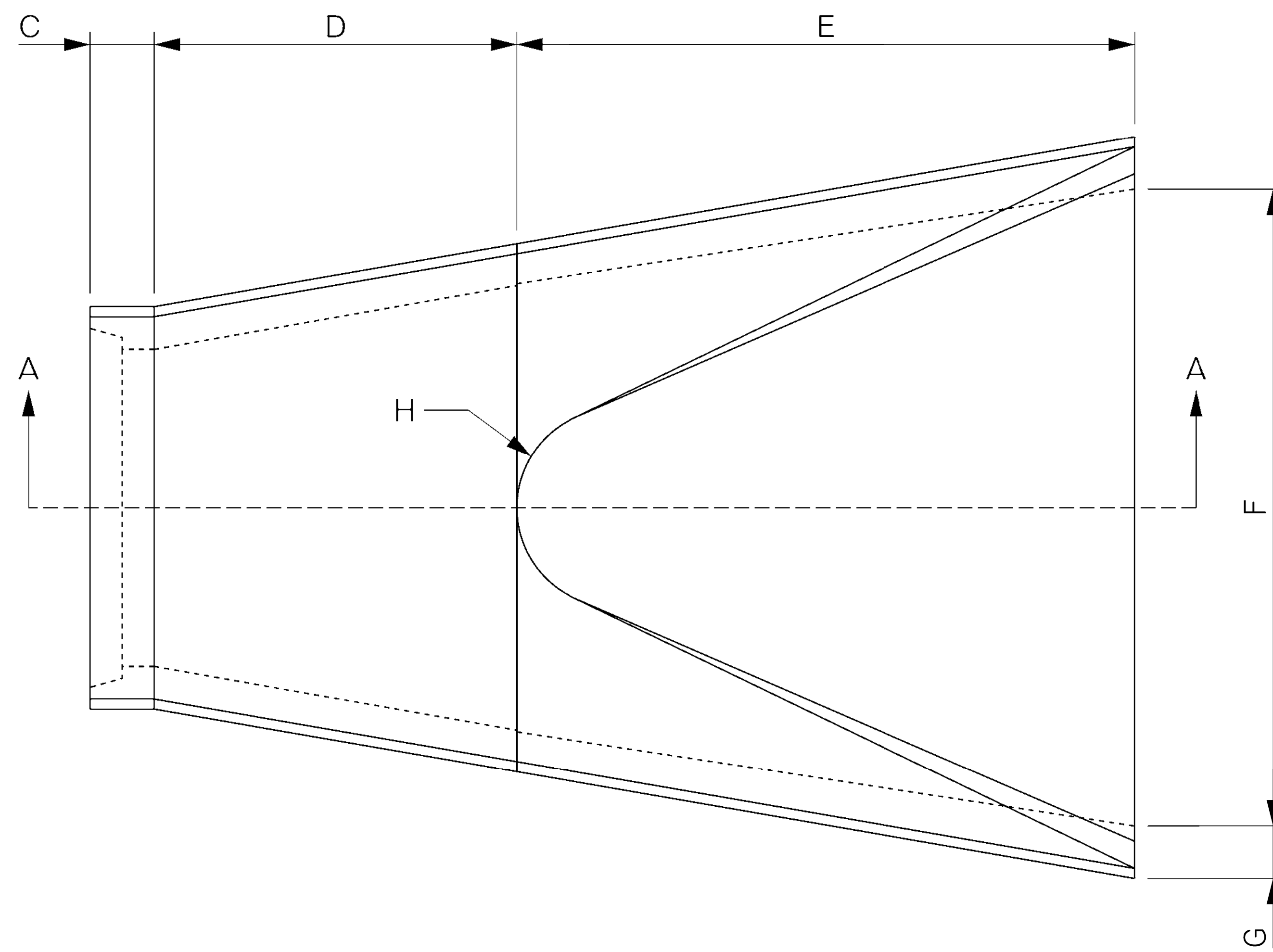


ROUND FLARED END SECTION

NANCE PRECAST CONCRETE PRODUCTS

5601 WASHINGTON AVE. N.E., PIEDMONT, OK 73078

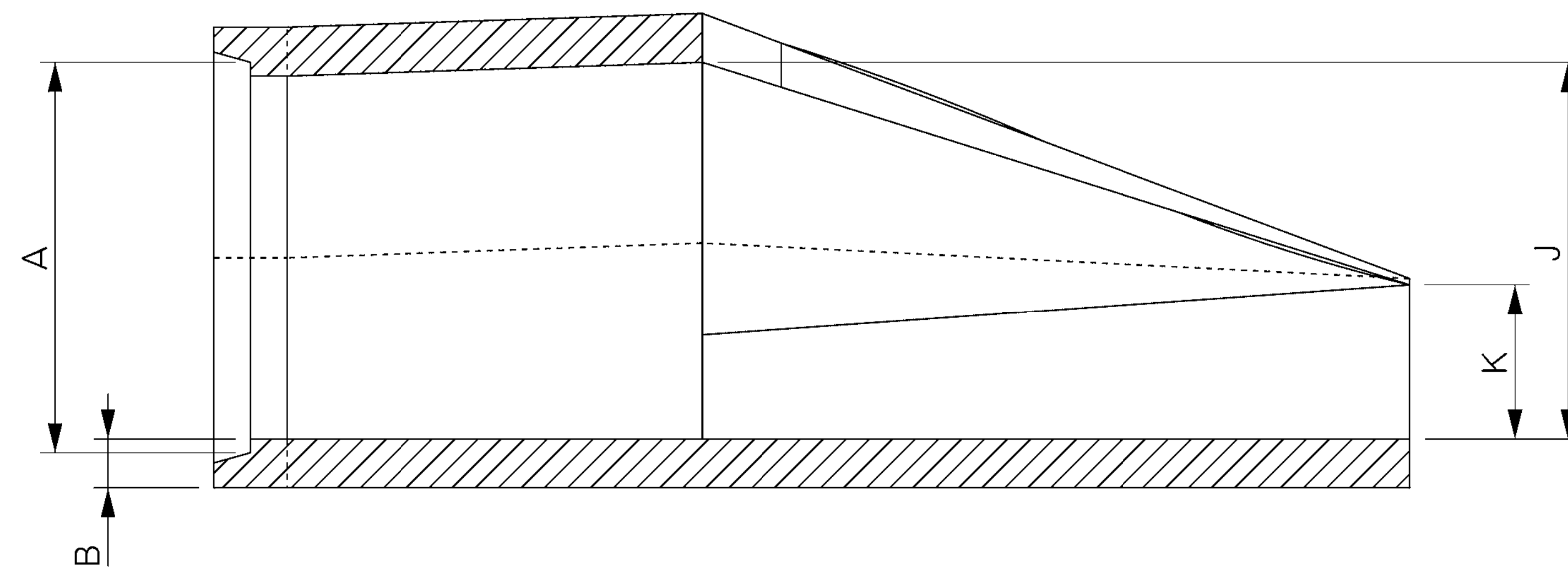
PHONE 405-373-1800 FAX 405-373-1803



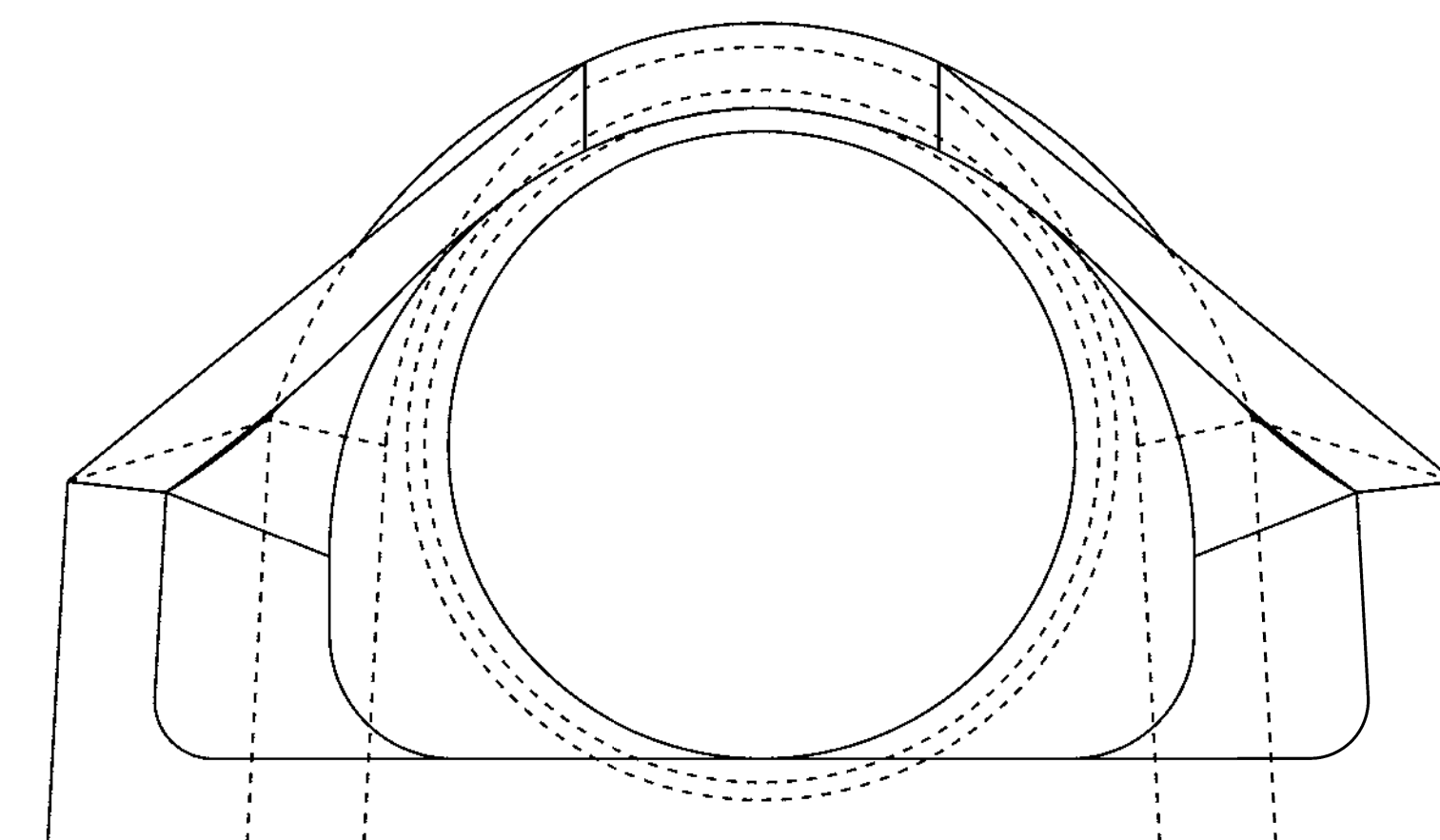
PLAN



ISOMETRIC VIEW



SECTION A-A



ELEVATION

	DIAMETER							
	12"	15"	18"	24"	30"	36"	42"	48"
A	12"	15"	18"	24"	30"	36"	42"	48"
B	2 ³ / ₄ "	3"	2 ¹ / ₂ "	3"	3 ¹ / ₂ "	4"	5 ¹ / ₄ "	5 ³ / ₄ "
C	2 ⁹ / ₁₆ "	2 ³ / ₄ "	4"	4 ¹ / ₂ "	5"	5 ¹ / ₂ "	5 ¹ / ₄ "	5 ³ / ₄ "
D	46 ⁵ / ₁₆ "	43 ¹ / ₄ "	42"	25 ¹ / ₂ "	14 ³ / ₄ "	29 ¹ / ₄ "	29 ³ / ₄ "	20 ¹ / ₄ "
E	24"	27"	27"	43 ¹ / ₂ "	54"	63"	63"	72"
F	24"	30"	36"	48"	60"	72"	78"	84"
G	2 ⁹ / ₁₆ "	2 ³ / ₄ "	2 ¹ / ₂ "	3"	3 ¹ / ₂ "	4"	5 ¹ / ₄ "	5 ³ / ₄ "
H	∅ 8 ³ / ₈ "	∅ 18"	∅ 12"	∅ 14"	∅ 15"	∅ 20"	∅ 21"	∅ 28"
J	13"	16"	19"	25"	31"	37"	43"	49"
K	4"	7 ¹ / ₂ "	9"	9 ¹ / ₂ "	12"	15"	21"	24"

FEATURES:

- CONCRETE HAS DESIGN STRENGTH OF A MIN. OF 4,000 PSI AT 28 DAYS.
- TOLERANCE IS PER MANUFACTURER'S STANDARD.

PROPRIETARY AND CONFIDENTIAL

THE INFORMATION CONTAINED IN THIS DRAWING IS THE SOLE PROPERTY OF NANCE PRECAST CONCRETE PRODUCTS.

ANY REPRODUCTION IN PART OR AS A WHOLE WITHOUT THE WRITTEN PERMISSION OF NANCE PRECAST CONCRETE PRODUCTS IS PROHIBITED.

