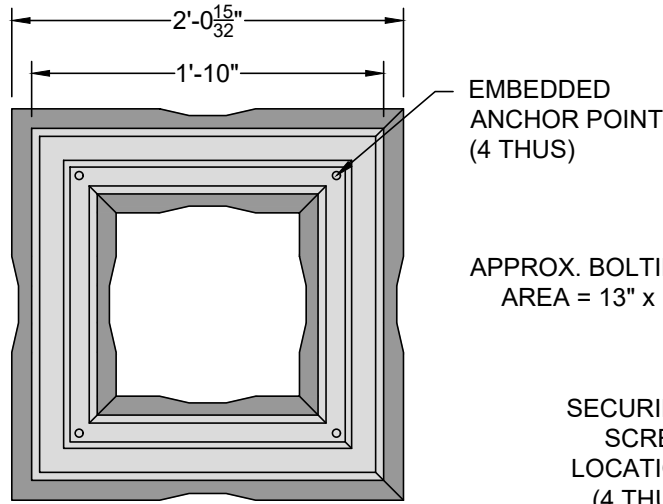


ITEM:	QUANTITY:	SPECIFICATION:
CONCRETE	0.17 CUBIC YARDS	MIN. 4,000 PSI @ 28 DAYS
ADAPTOR PLATE	1	COMPOSITE MATERIAL, ANSI TIER 15 RATED, SLIP RESISTANT SURFACE
EMBEDDED ANCHORS	4	½" x 2 ½" PLASTIC NC THREADED INSERT
SECURING SCREWS	4	½"-13 x 3" STAINLESS STEEL, TAMPER RESISTANT, BUTTON HEAD



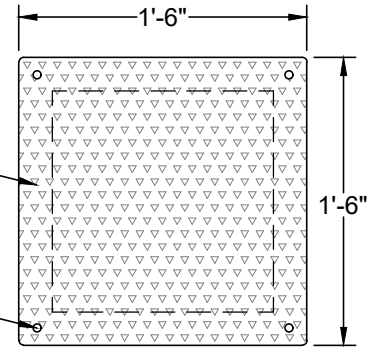
PRODUCT TOP VIEW

1" = 1'-0"

EMBEDDED ANCHOR POINT (4 THUS)

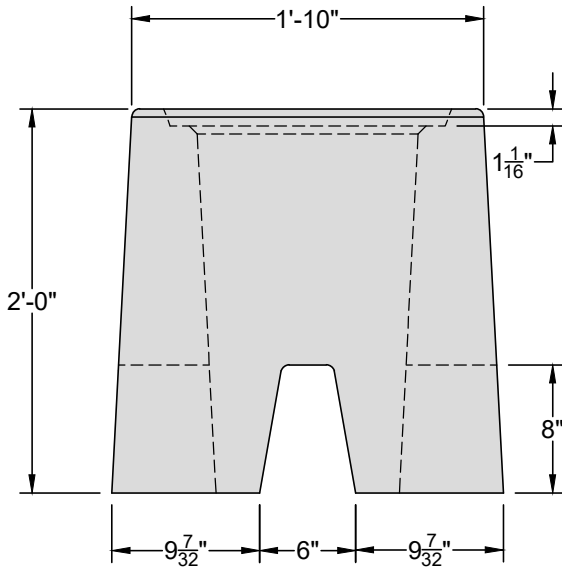
APPROX. BOLTING AREA = 13" x 13"

SECURING SCREW LOCATION (4 THUS)



ADAPTOR PLATE DETAIL

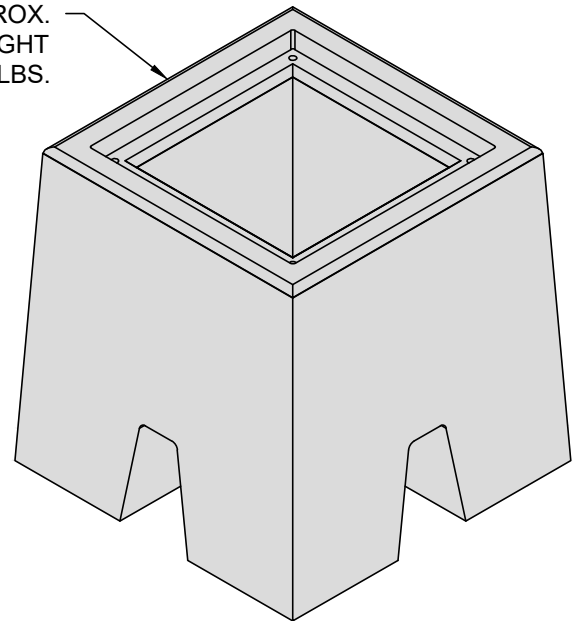
1" = 1'-0"



PRODUCT SIDE VIEW

1" = 1'-0"

APPROX. WEIGHT 650 LBS.



PRODUCT ISO VIEW

NTS



EV BLOCKS.COM

EV Blocks is produced and marketed pursuant to a license agreement with Recon Wall Systems, Inc., 11521 Eagle Street Suite 3, Coon Rapids, MN 55448

Patent Pending: WO2020245613

EVBLOCKS.COM/US

Lee Curle
405-916-5389
lee@npcp.net

