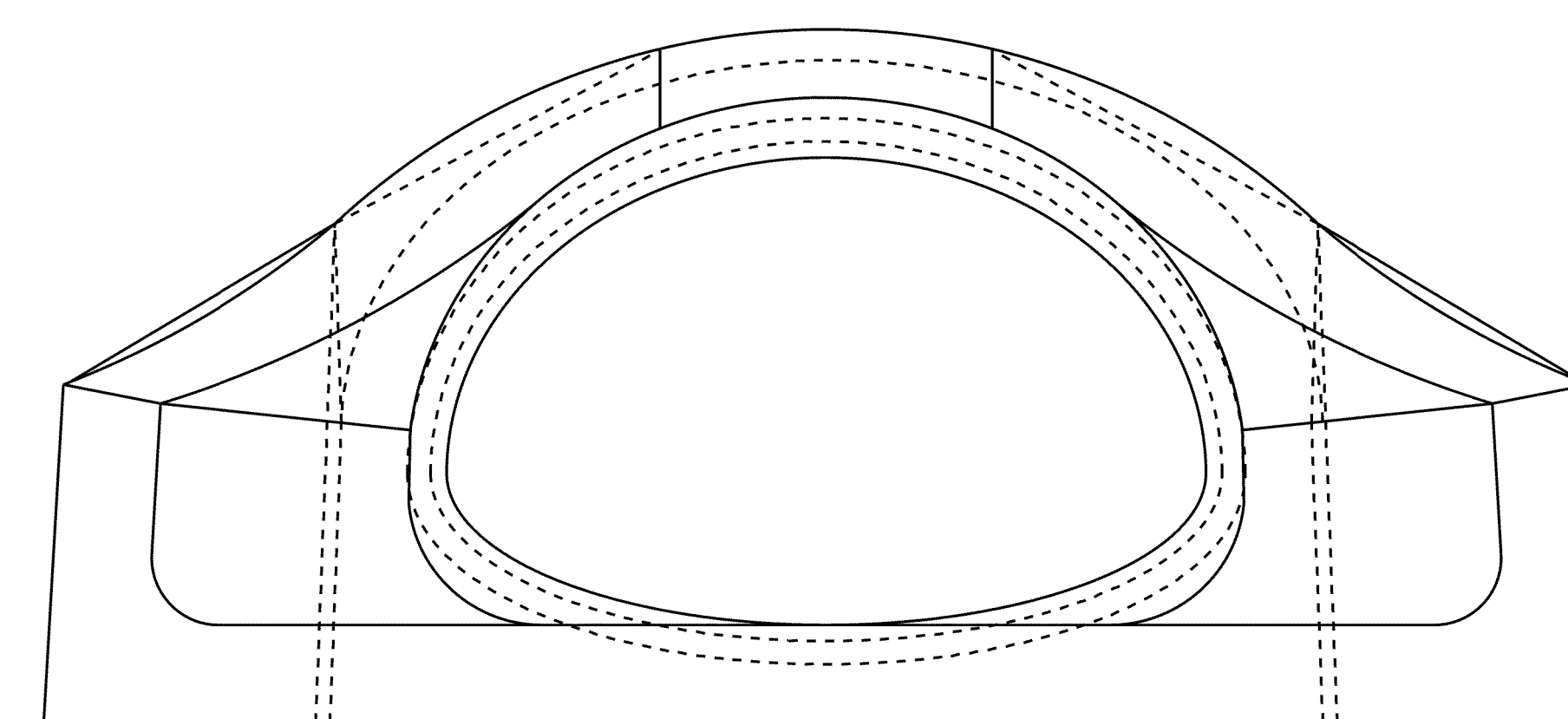
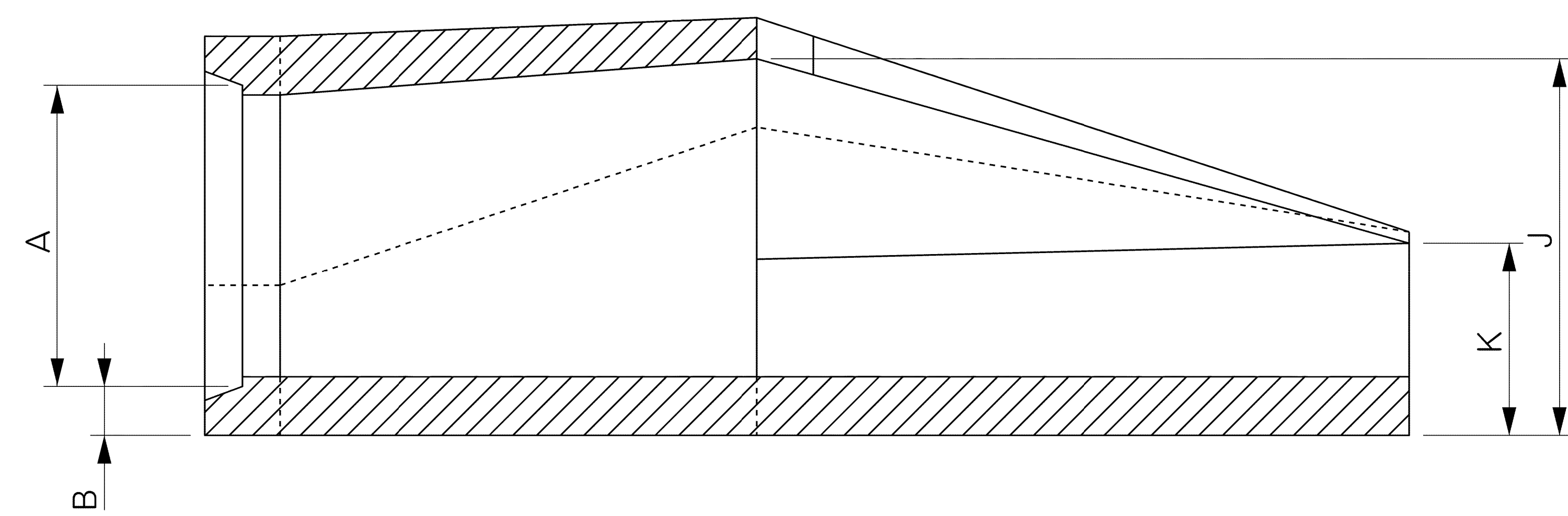
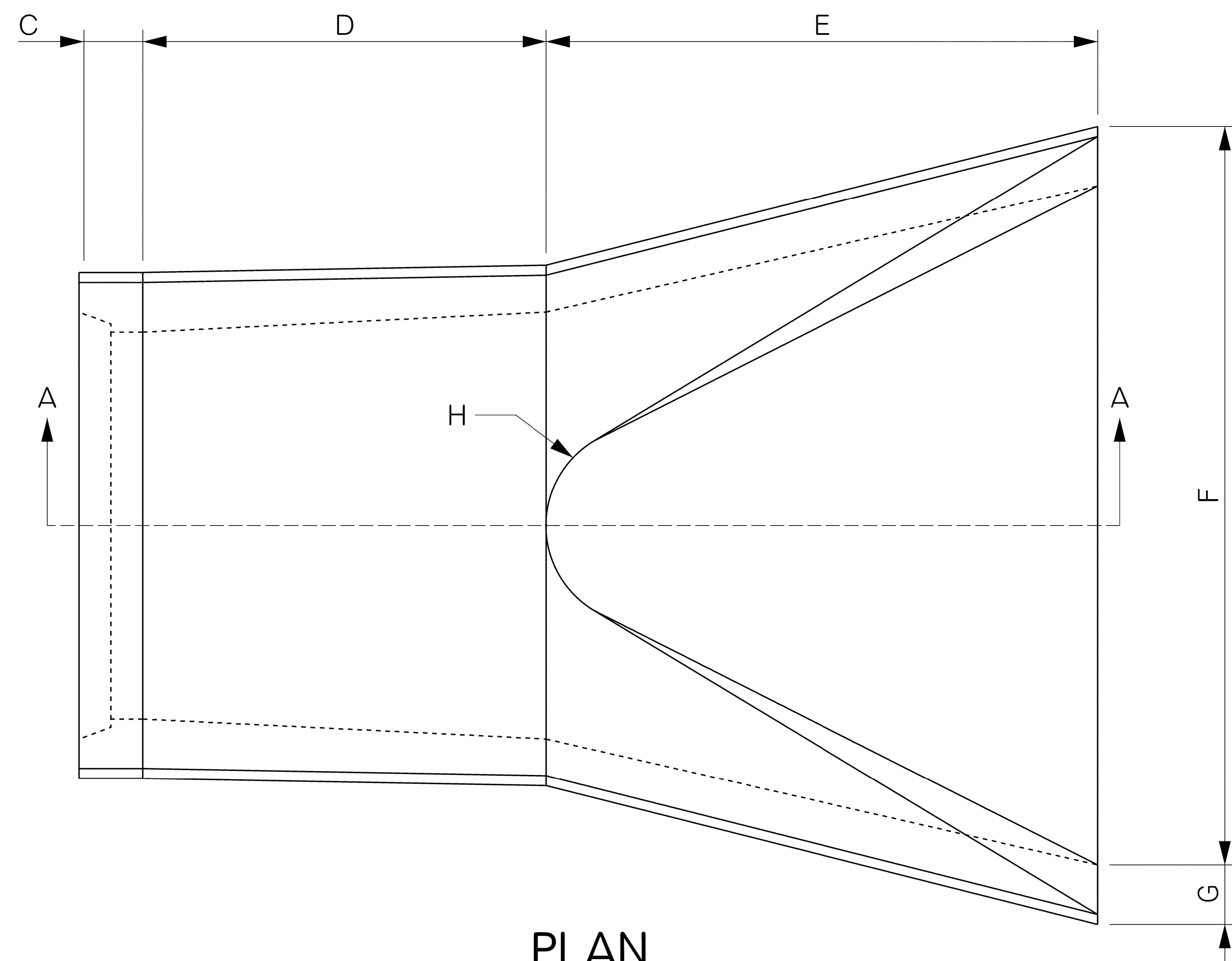


# ARCHED FLARED END SECTION

NANCE PRECAST CONCRETE PRODUCTS

5601 WASHINGTON AVE. N.E., PIEDMONT, OK 73078

PHONE 405-373-1800 FAX 405-373-1803



	DIAMETER			
	18"	24"	30"	36"
A	13½" x 22"	18" x 28½"	22½" x 36¼"	26⅝" x 43¾"
B	2½"	3½"	4"	4½"
C	4"	4½"	4½"	5"
D	41"	28½"	19½"	31"
E	27"	39"	48"	60"
F	36"	48"	60"	72"
G	2½"	3½"	4½"	4½"
H	∅ 12"	∅ 14"	∅ 15"	∅ 20"
J	14½"	19"	23½"	27⅝"
K	7"	8"	10"	10⅝"

## FEATURES:

- CONCRETE HAS DESIGN STRENGTH OF A MIN. OF 4,000 PSI AT 28 DAYS.
- TOLERANCE IS PER MANUFACTURER'S STANDARD.

## PROPRIETARY AND CONFIDENTIAL

THE INFORMATION CONTAINED IN THIS DRAWING IS THE SOLE PROPERTY OF NANCE PRECAST CONCRETE PRODUCTS.

ANY REPRODUCTION IN PART OR AS A WHOLE WITHOUT THE WRITTEN PERMISSION OF NANCE PRECAST CONCRETE PRODUCTS IS PROHIBITED.

