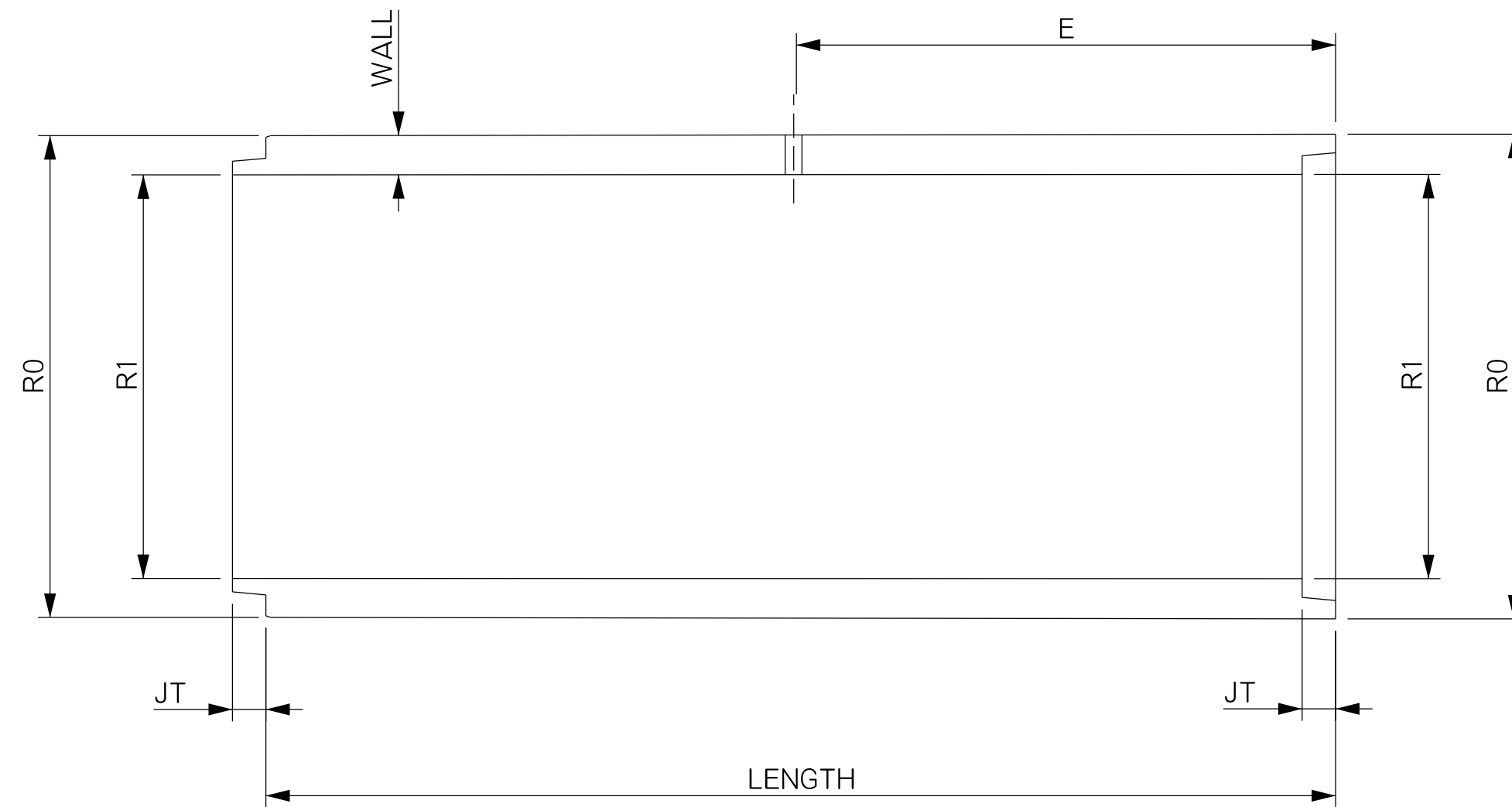


REINFORCED CONCRETE ARCH PIPE

NANCE PRECAST CONCRETE PRODUCTS

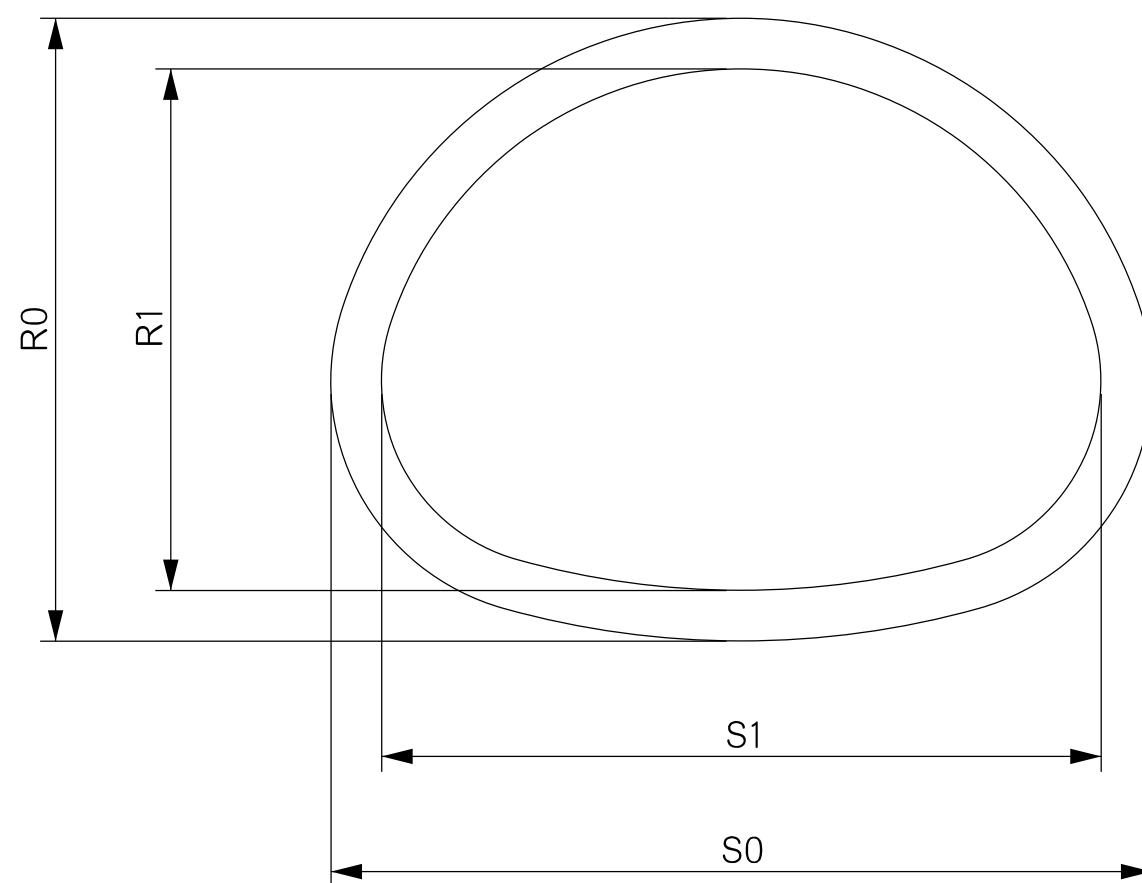
5601 WASHINGTON AVE. N.E., PIEDMONT, OK 73078

PHONE 405-373-1800 FAX 405-373-1803



ELEVATION

(MANUFACTURED TO ASTM C-506 & AASHTO M-206)



SECTION



SIZE	WALL	LENGTH	MALE END R1 x S1	FEMALE END R1 x S1	MALE END R0 x S0	FEMALE END R0 x S0	E
18"	3 1/8"	8'-0"	13 13/32" x 21 29/32"	13 17/32" x 22 1/32"	19 3/4" x 28 1/4"	20 1/8" x 28 5/8"	48 1/8"
24"	3 1/2"	8'-0"	17 29/32" x 28 13/32"	18 1/32" x 28 17/32"	25" x 35 1/2"	25 3/8" x 35 7/8"	48 5/16"
30"	3 1/2"	8'-0"	22 15/32" x 36 7/32"	22 17/32" x 36 9/32"	29 1/2" x 43 1/4"	29 3/4" x 43 1/2"	48 5/8"
36"	4"	8'-0"	26 19/32" x 43 23/32"	26 21/32" x 43 25/32"	34 5/8" x 51 3/4"	34 3/4" x 51 7/8"	48 15/16"

PROPRIETARY AND CONFIDENTIAL

THE INFORMATION CONTAINED IN THIS DRAWING IS THE SOLE PROPERTY OF NANCE PRECAST CONCRETE PRODUCTS.

ANY REPRODUCTION IN PART OR AS A WHOLE WITHOUT THE WRITTEN PERMISSION OF NANCE PRECAST CONCRETE PRODUCTS IS PROHIBITED.

